

Adjustable

Hole Saw Insert

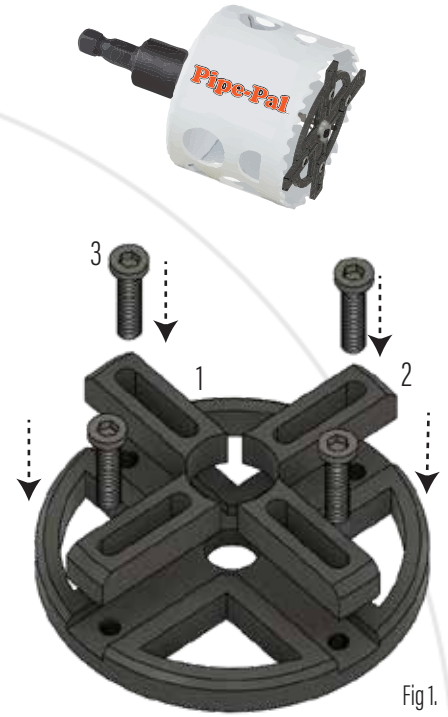
Assembly Required

Includes:

- 1 - Base (1)
- 4 - Arms (2)
- 4 - M3 Screws (3)
- 2" - 2-7/8" Center Spacers (8 total) (Fig 2. (4))
- 1 - 2.5mm Allen Wrench
- 1 - 1/4" Drill Stop (Fig 3. (5))
- 1 - 1-3/4" Stand-off Sleeve (Fig 3. (6))
- 1 - Pipe-Pal Hole measure gauge (Fig 4.)

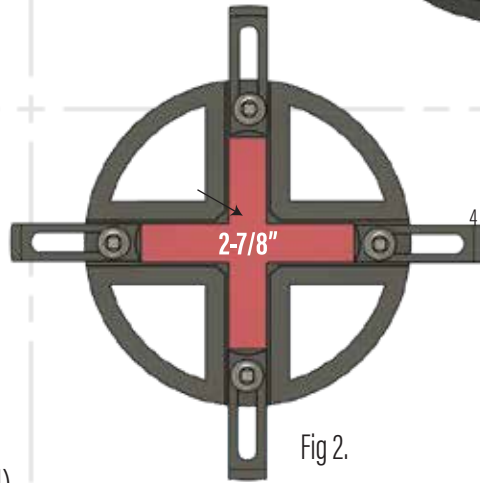
Assembly Instructions. (Fig. 1)

1. Place arms in the 4 slots in base.
2. Insert Screws into arm slots and fasten into base.
3. Place washer, then lock washer, and nut onto screws and tighten.



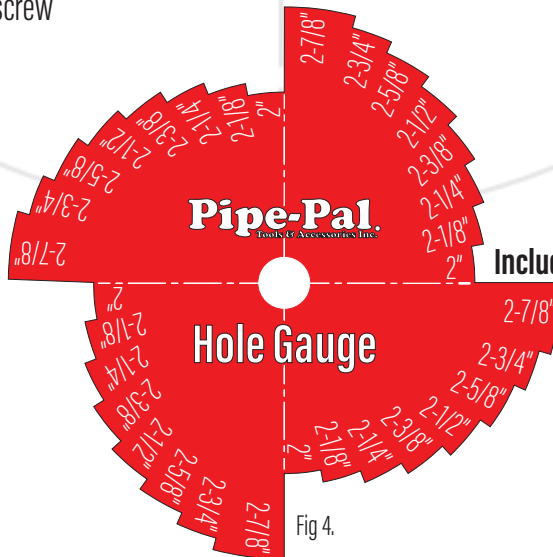
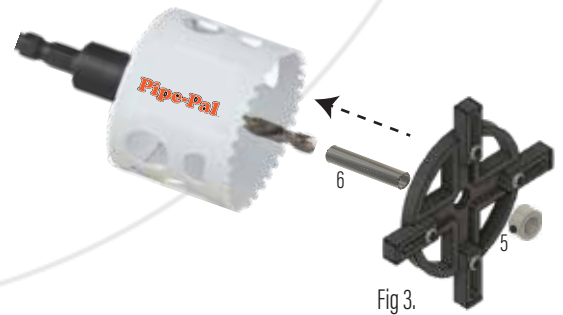
How to adjust the Hole Saw Insert. (Fig. 2)

1. Loosen hardware so arms can move inside the base.
2. Insert desired Center Spacer into the base.
3. Push arms until they are completely against the center spacer.
4. Tighten Hardware with 2.5mm Allen Wrench.
5. Remove Center Spacer.



Using the Hole Saw Insert. (Fig. 3)

1. Mount desired Hole Saw Cup (not included) on Arbor (not included)
2. Insert Stand-off Sleeve over drill bit.
3. Place the Adjustable Hole Saw insert onto drill fit.
4. Place drill stop on drill bit and fasten set screw with 2.5mm Allen Wrench.



Includes Hole Sizing Gauge!!

